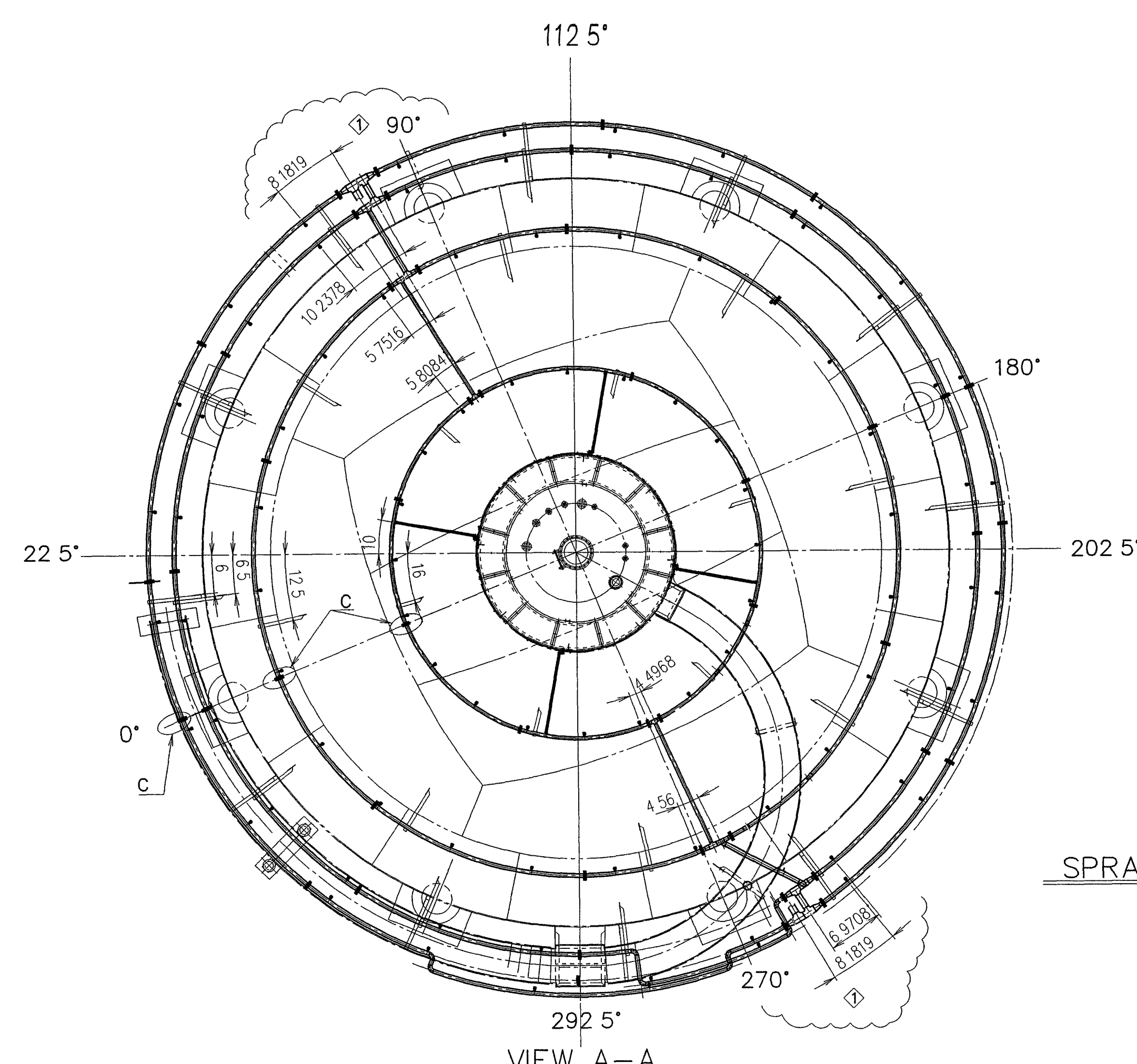
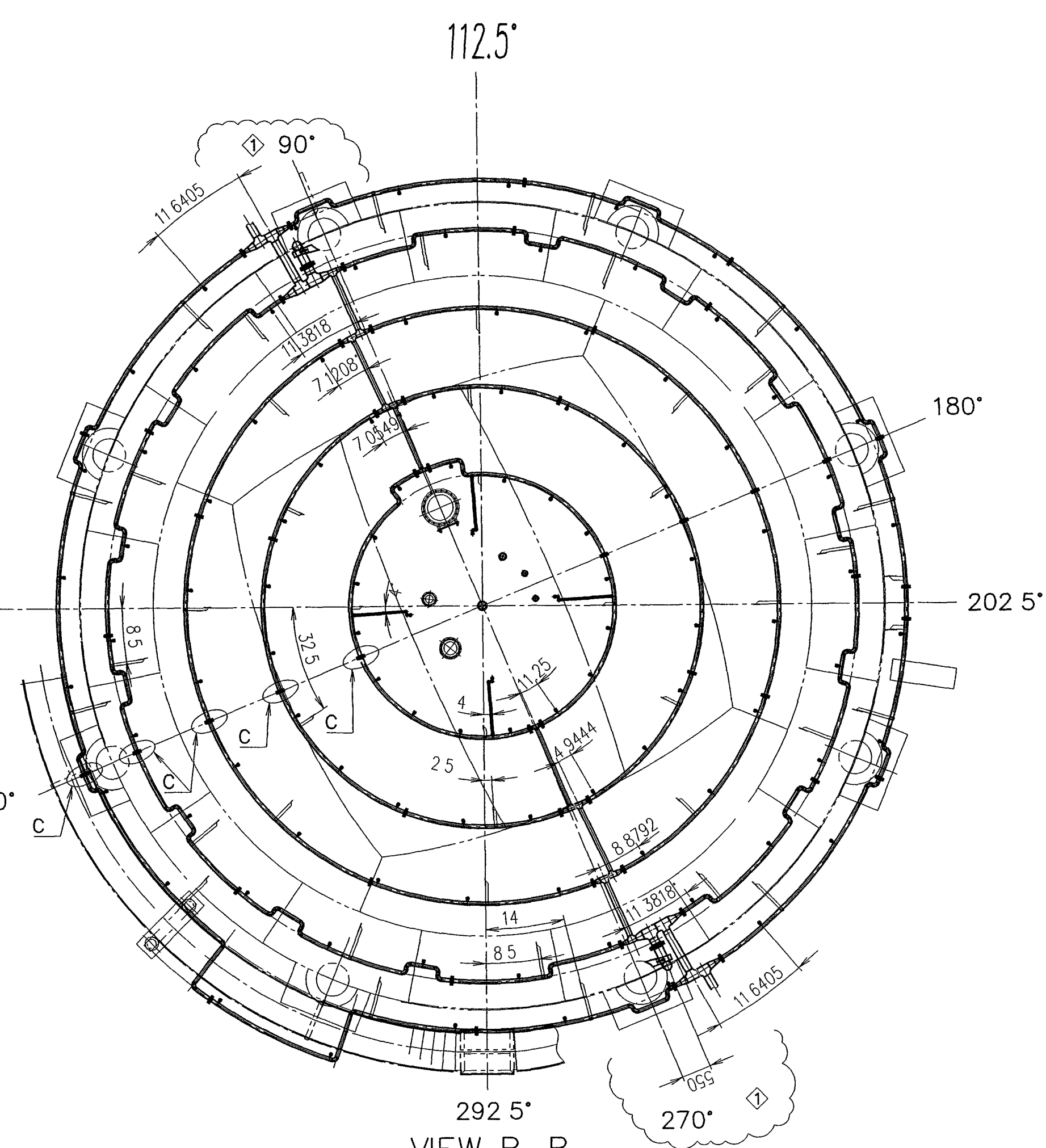


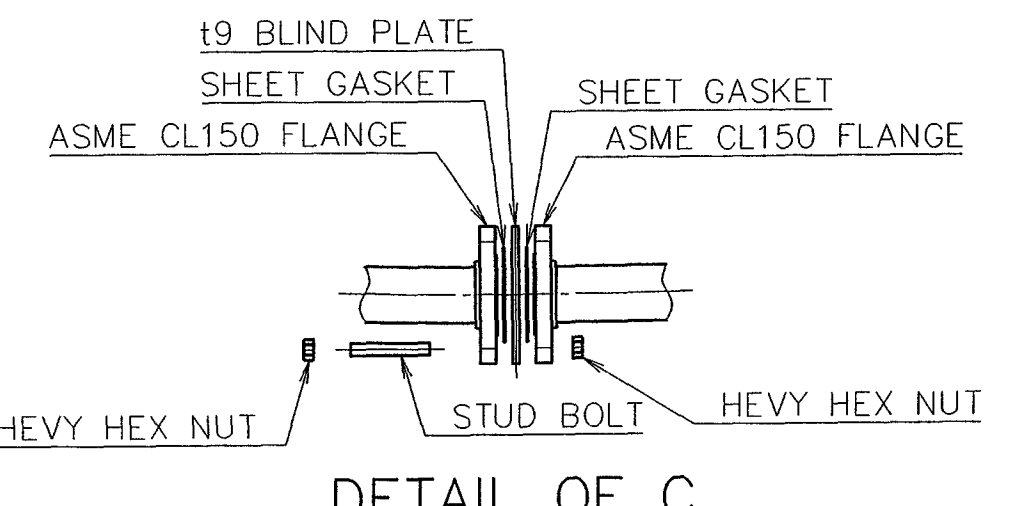
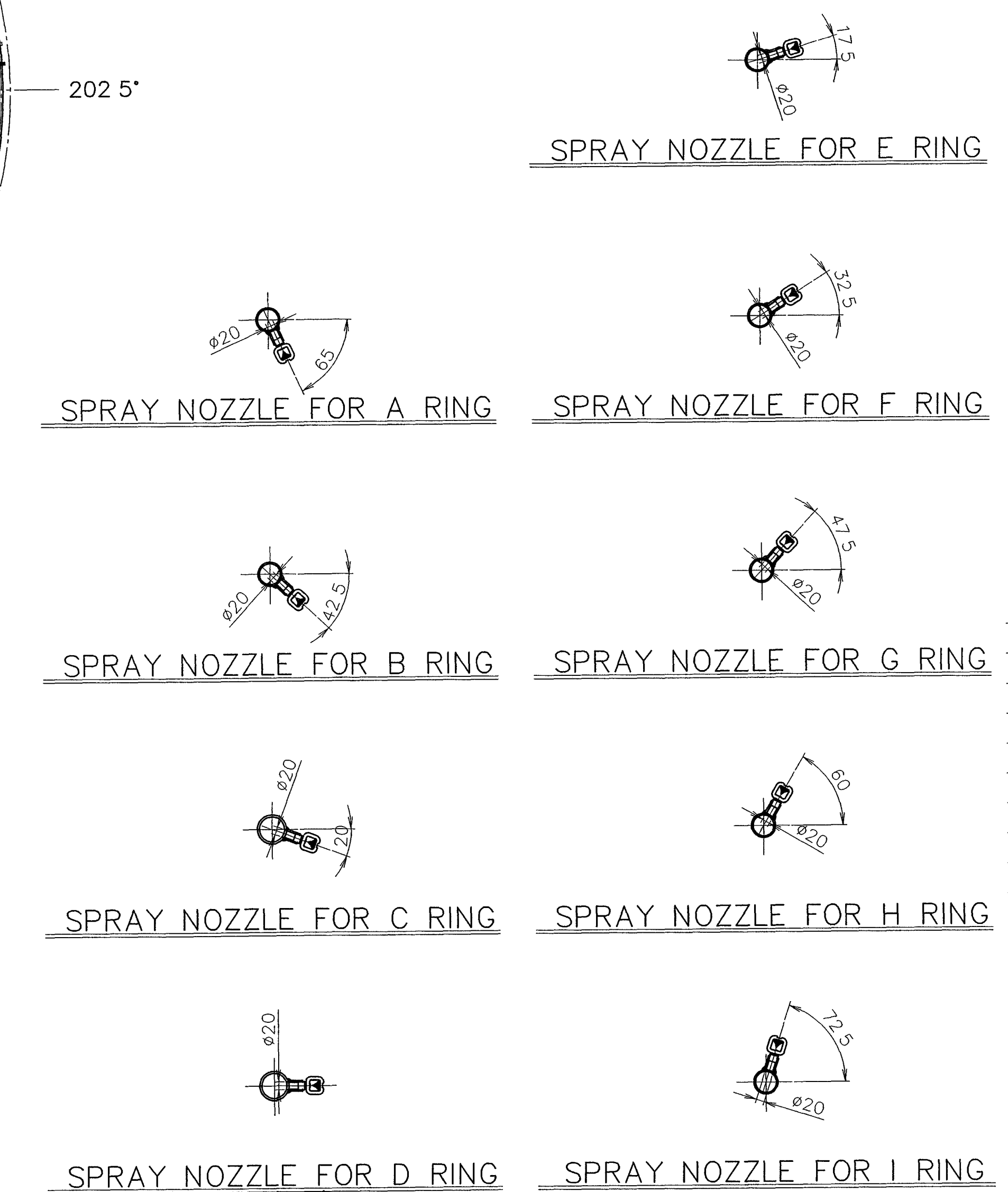
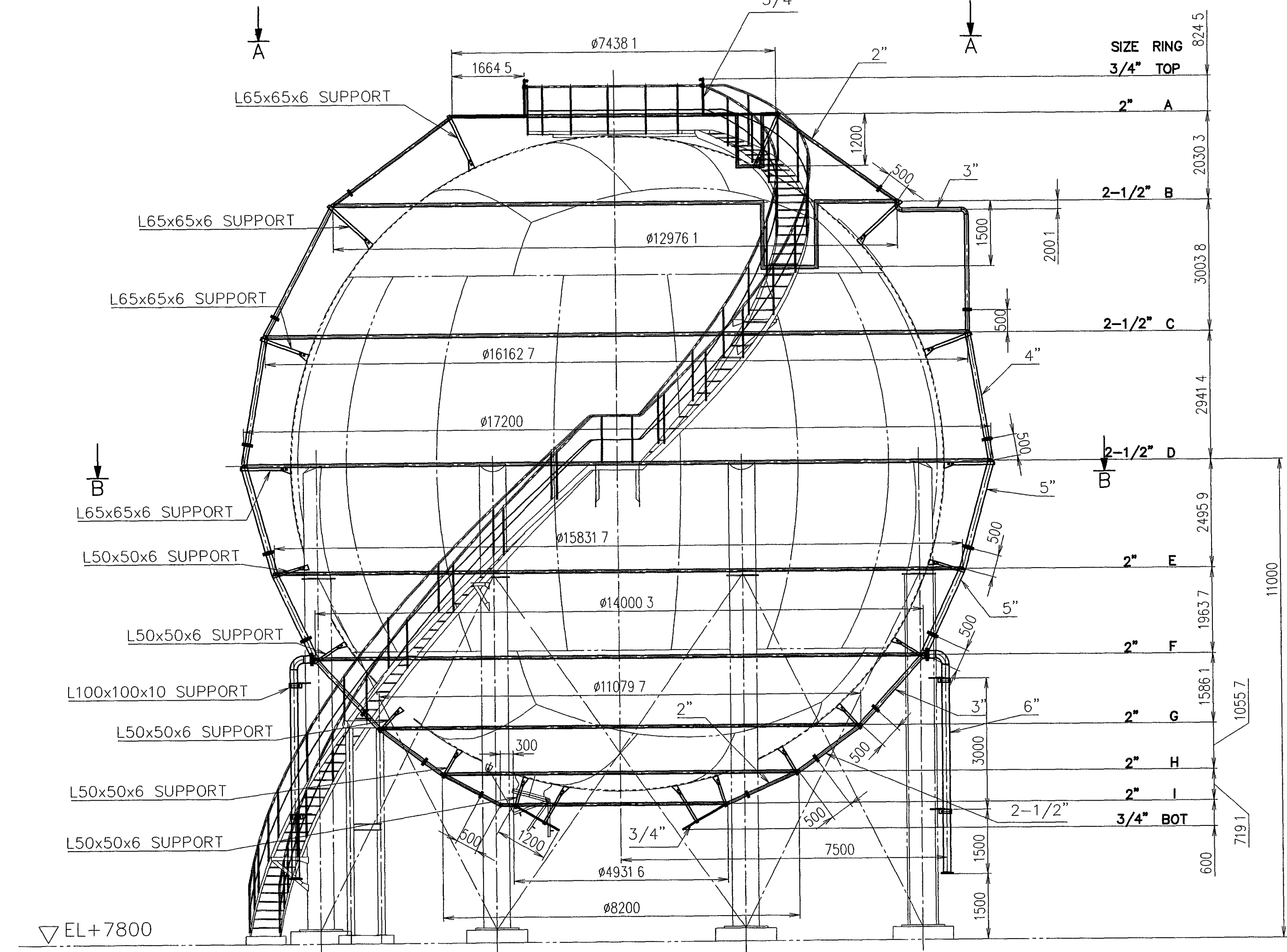
MATERIAL			
No	ITEM	DESCRIPTION	REMARKS
M12	PIPE	SA-53 Gr B	GALVANIZED
	FLANGE	SA-105	ASME CL 150 GALVANIZED
	BOLT / NUT	SA-307 Gr B / SA-563 Gr A	HEAVY HEX NUT GALVANIZED
	GASKET	SHEET GASKET (NON ASBESTOS)	t15

SPRAY		
RING	TYPE	QUANTITY
TOP	P/N 49-318-1-110	4
A	P/N 49-324-1-110	20
B	P/N 49-328-1-110	24
C	P/N 49-328-1-110	24
D	P/N 49-328-1-110	24
E	P/N 49-321-1-110	24
F	P/N 49-321-1-110	24
G	P/N 49-318-1-110	20
H	P/N 49-316-1-110	20
I	P/N 49-316-1-110	16
BOTTOM	P/N 49-316-1-110	4



VIEW B-B

VIEW A-A



REV	DATE	DESCRIPTION	PREPARED	REVIEWED	APPROVED	DOC NO
04-Feb-10		TIE POINT IS CHANGED	Tsukihara	Hashimoto	Hashimoto	
17-Feb-09		FIRST ISSUE				

THIS DRAWING BEING CONFIDENTIAL AND THE PROPERTY OF ISHII IRON WORKS CO., LTD. SHALL NOT BE TRACED NOR REPRODUCED IN ANY MANNER NOR COMMUNICATED TO ANY OTHER PERSON NOR USED FOR ANY OTHER PURPOSE WITHOUT WRITTEN PERMISSION FROM ISHII IRON WORKS CO., LTD.

OWNER  
**台灣肥料股份有限公司**  
 TAIWAN FERTILIZER CO., LTD.

ENGINEER  
**擎邦國際科技工程股份有限公司**  
 KING POLYTECHNIC ENGINEERING CO., LTD.

JOB NO. 工番號  
E08001LS

JOB TITLE 工程名稱  
TAICHUNG 20,000 MT AMMONIA TERMINAL PROJECT

PROJECT 專案名稱  
SPHERICAL TANK WATER SPRAY SYSTEM(V-102A)

DWG NO. 圖號  
MUT-AM-V102-612-1

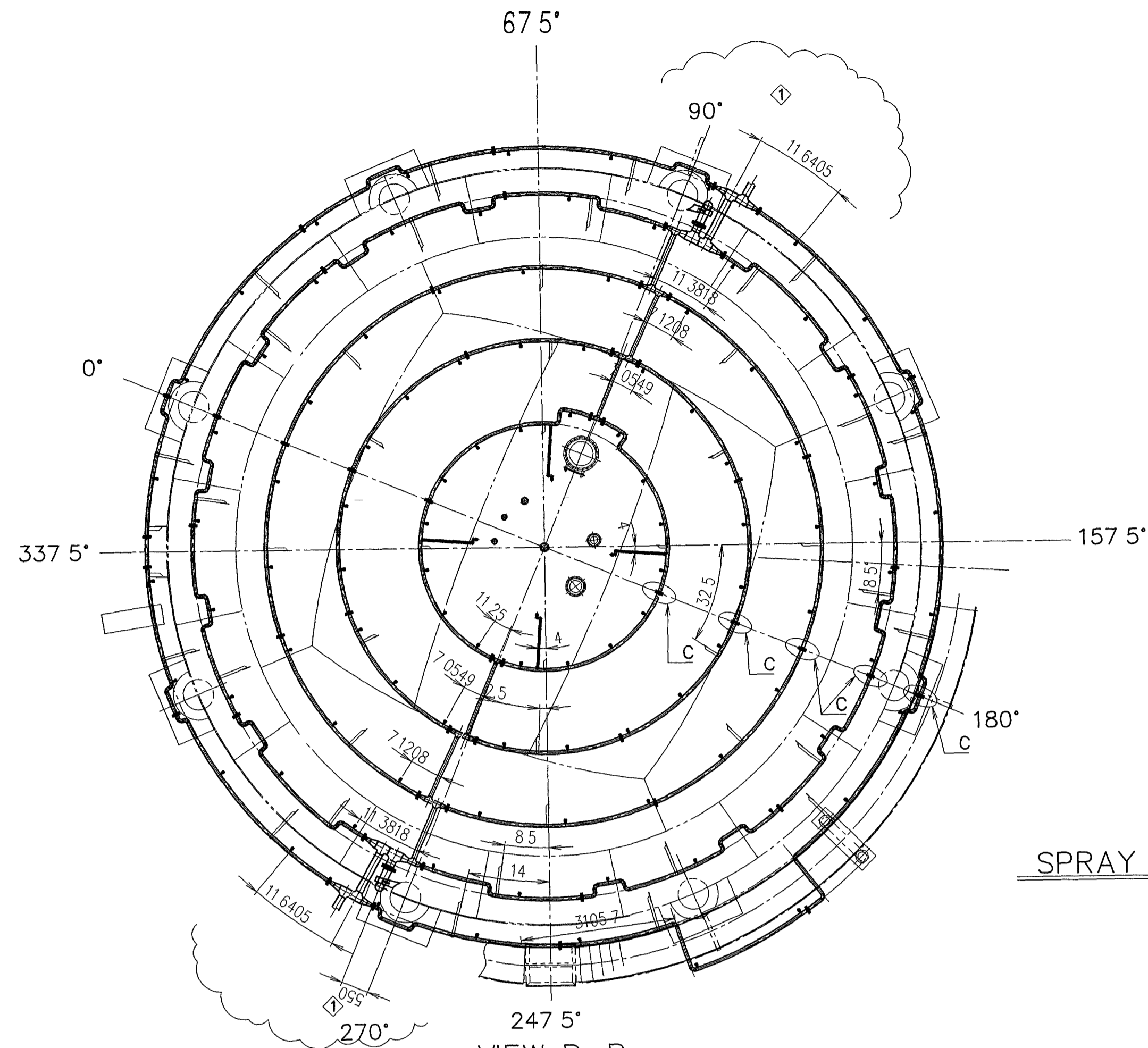
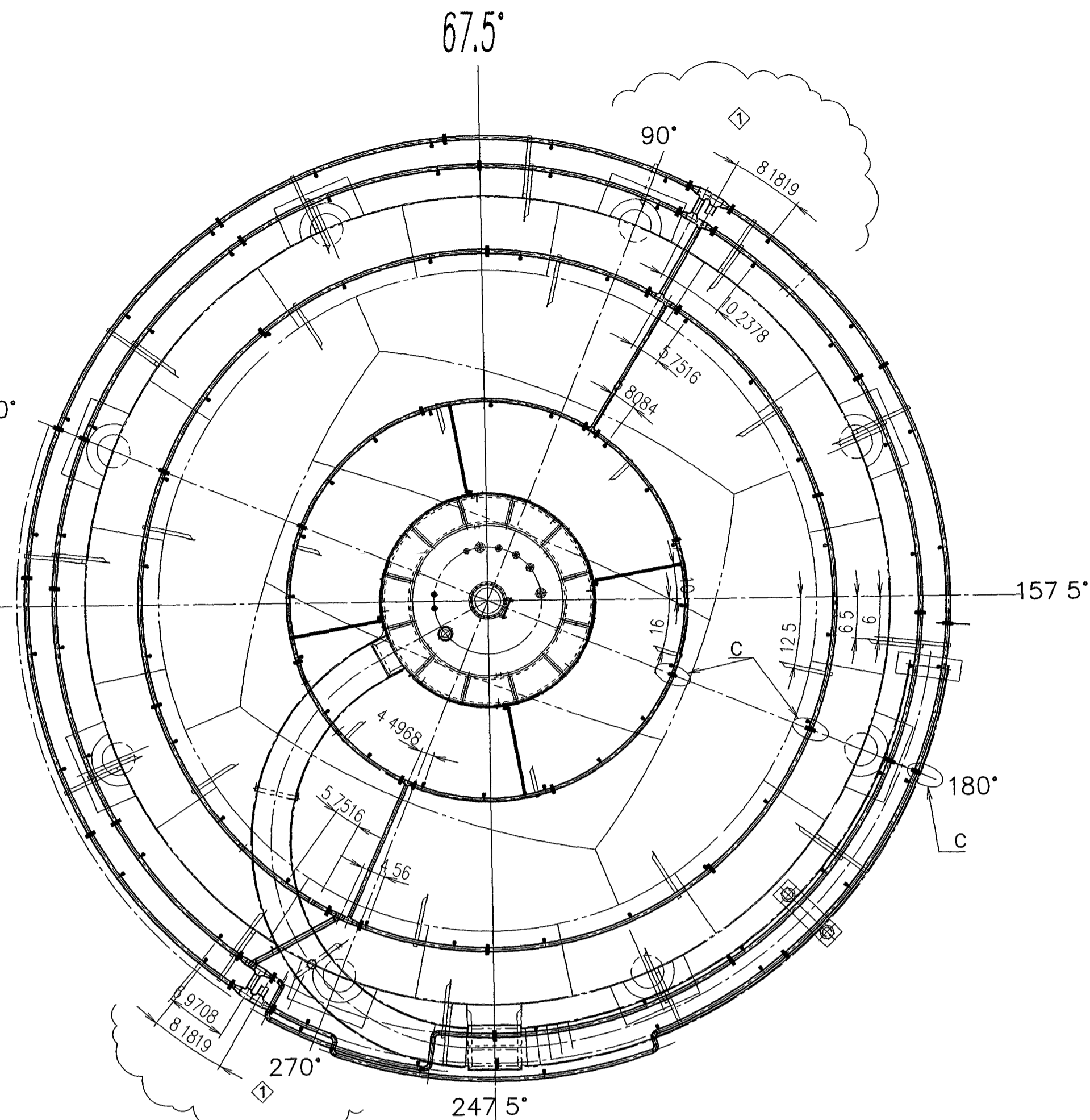
SCALE 縮尺  
1/80

**ISHII IRON WORKS CO., LTD.**  
 TOKYO - JAPAN

HS-660-TD-012-1

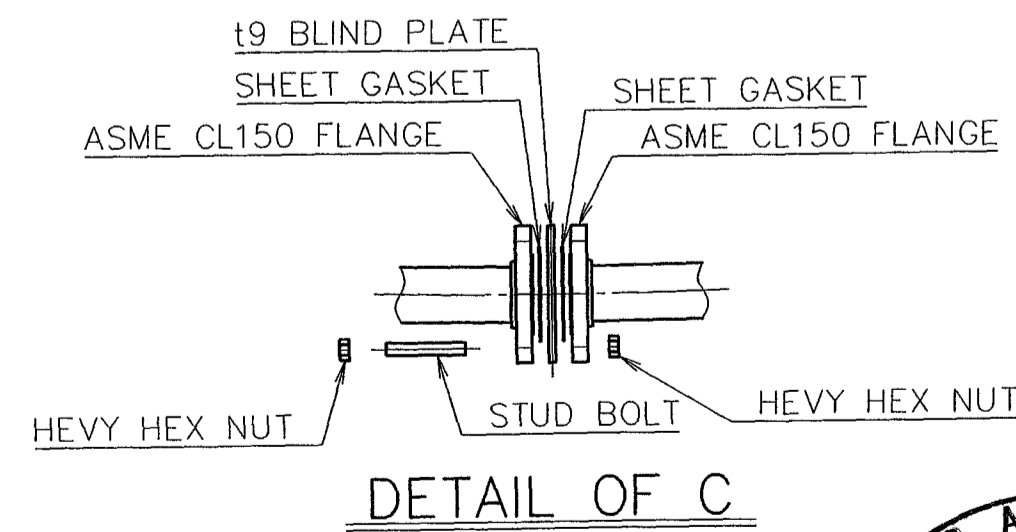
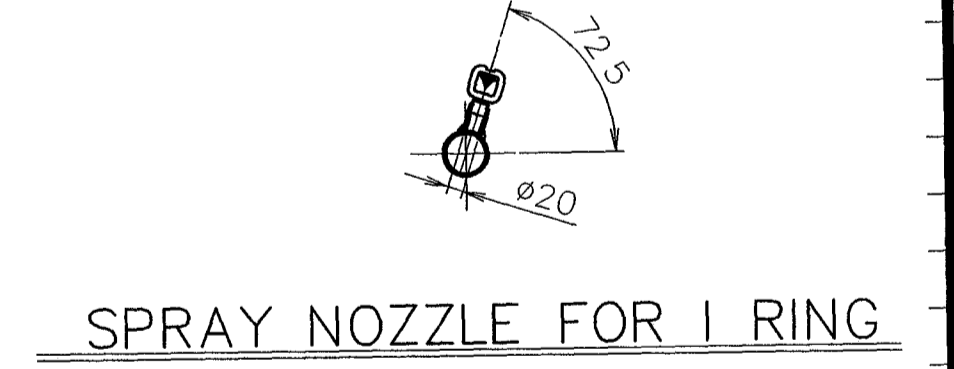
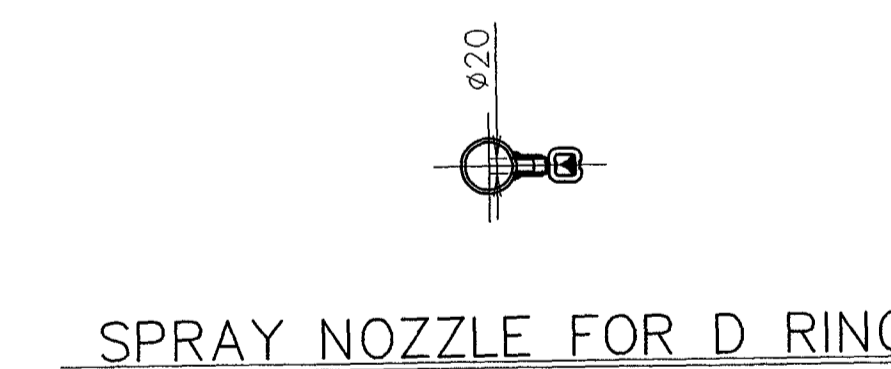
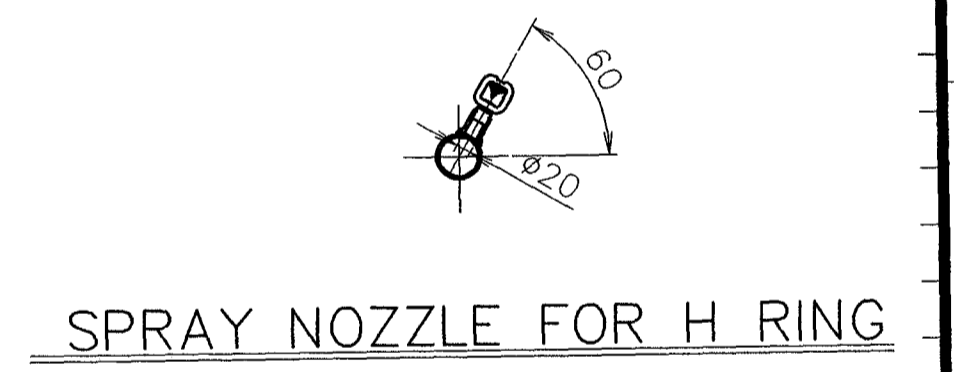
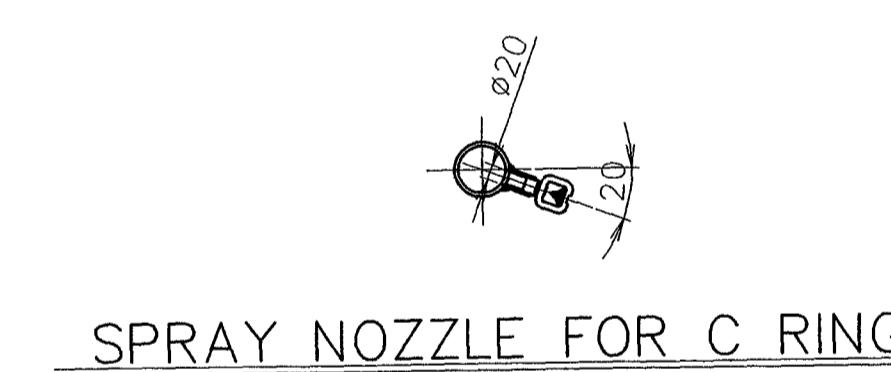
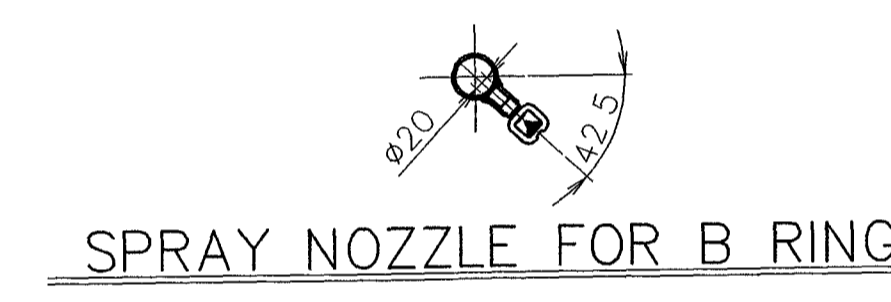
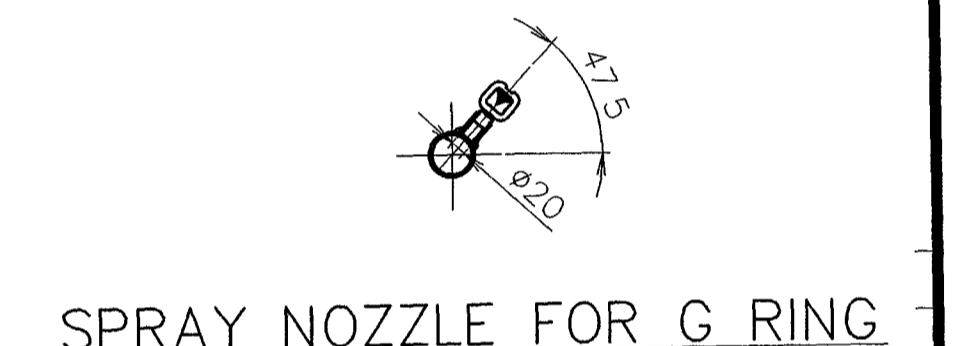
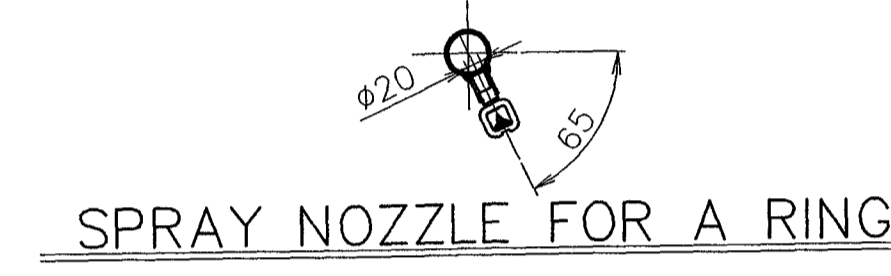
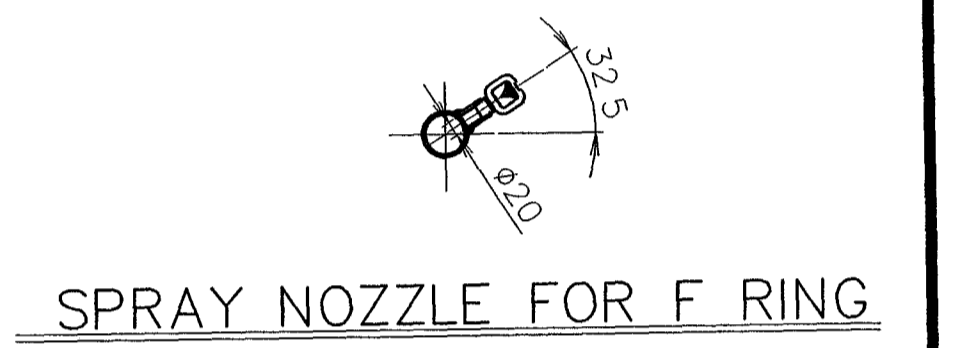
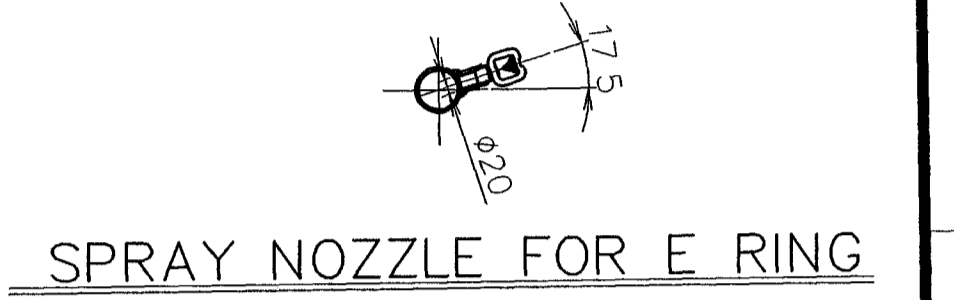
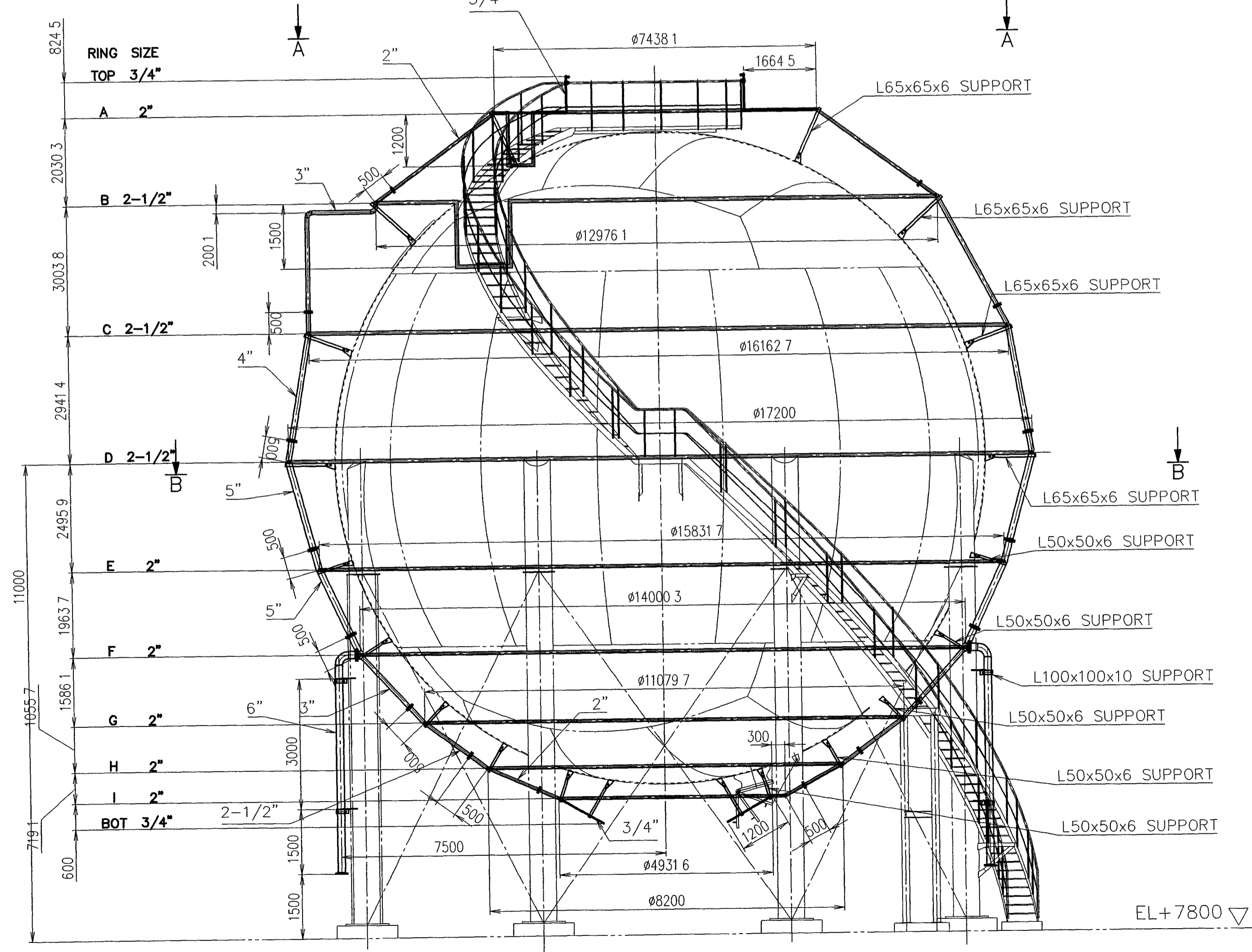
MATERIAL			
No	ITEM	DESCRIPTION	REMARKS
M12	PIPE	SA-53 Gr B	GALVANIZED
	FLANGE	SA-105	ASME CL 150 GALVANIZED
	BOLT / NUT	SA-307 Gr B / SA-563 Gr A	HEAVY HEX NUT GALVANIZED
	GASKET	SHEET GASKET (NON ASBESTOS)	t15

SPRAY		
RING	TYPE	QUANTITY
TOP	P/N 49-318-1-110	4
A	P/N 49-324-1-110	20
B	P/N 49-328-1-110	24
C	P/N 49-328-1-110	24
D	P/N 49-328-1-110	24
E	P/N 49-321-1-110	24
F	P/N 49-321-1-110	24
G	P/N 49-318-1-110	20
H	P/N 49-318-1-110	20
I	P/N 49-318-1-110	16
BOTTOM	P/N 49-318-1-110	4



VIEW A-A

VIEW B-B



THIS DRAWING BEING CONFIDENTIAL AND THE PROPERTY OF ISHII IRON WORKS CO., LTD. SHALL NOT BE TRACED NOR REPRODUCED IN ANY MANNER NOR COMMUNICATED TO ANY OTHER PERSON NOR USED FOR ANY OTHER PURPOSE WITHOUT WRITTEN PERMISSION FROM ISHII IRON WORKS CO., LTD.  
 此図は機密であり、伊勢鉄工株式会社の財産です。複製、転載、貸与、譲渡、開示、漏洩、複製、転載、貸与、譲渡、開示、漏洩を禁じます。

OWNER  
**台灣肥料股份有限公司**  
 TAIWAN FERTILIZER CO., LTD.

ENGINEER  
**擊邦國際科技工程股份有限公司**  
 KING POLYTECHNIC ENGINEERING CO., LTD.

NO. E08001LS

TAICHUNG 20,000 MT AMMONIA TERMINAL PROJECT  
 SPHERICAL TANK WATER SPRAY SYSTEM(V-102B)  
 MUT-AM-V102-612-2 SCALE 1/80

FOR APPROVAL  
 FEB - 5 2010  
 ISHII IRON WORKS CO., LTD.

PREPARED: Tsukahara  
 REVIEWED: Hashimoto/Kadoshima  
 作成: 津浦 博  
 審査: 橋本 浩司 / 加藤 史明

DOC NO. HS-660-TD-012-2

REV	DATE	DESCRIPTION	PREPARED	REVIEWED	REVIEWED	APPROVED
修正	日付	内容	作成	審査	承認	承認
⑤						
④						
③						
②	04-Feb-10	TIE POINT IS CHANGED				
①	17-Feb-09	FIRST ISSUE				